

SUBMITTAL SHEET

JOB NAME	ITEM TAG
JOB LOCATION	PART NUMBER
CONTRACTOR	DATE
ENGINEER APPROVAL	DATE

FULL PORT ROTATING FLANGE ISOLATION BALL VALVE

T/S 2011RFLG

Ideal for circulator pump isolation, permitting pump removal without complete system drain-down.

Standard diamond-shaped pump flange connection rotates, to allow infinite valve positioning

Positive-seal, blowout-proof stem features dual Teflon* packing and EPDM rubber O-ring seals

Full-port design does not affect pump flow volumes

Durable forged brass construction

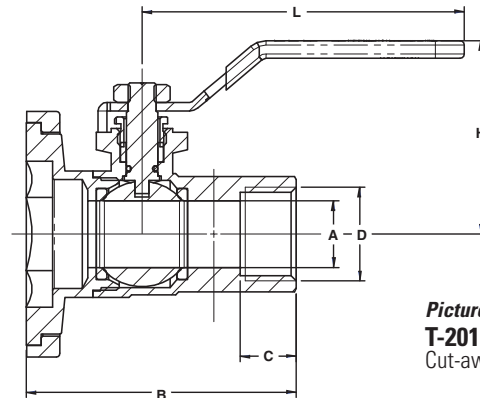
Flange mounting hardware included

Working Pressure, Non-Shock (PSI)

Cold Water, Oil, Gas: 600 CWVP

Saturated Steam: Not recommended for steam service

- Threaded end connections comply with ANSI / ASME B1.20.1
- Sweat end connections comply with ANSI / ASME B16.18
- Manufactured in an ISO accredited facility

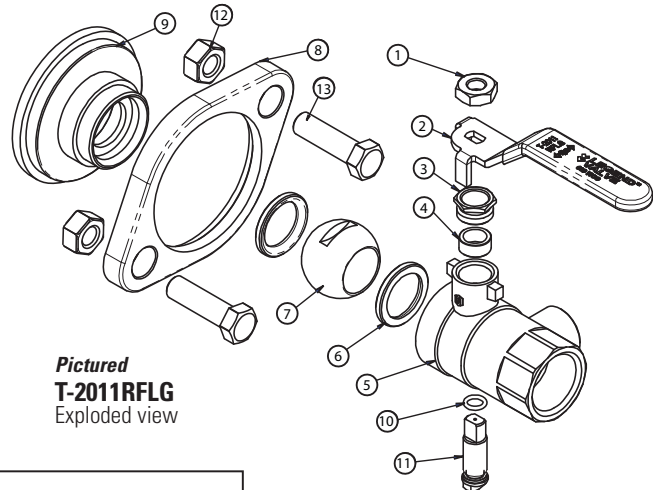


**Pictured
T-2011RFLG
Cut-away view**

MATERIAL SPECIFICATION

PART	MATERIAL	SPECIFICATION
1 Handle nut	Zinc plated steel	ASTM A283 Grade C
2 Lever handle	Zinc plated steel	ASTM A283 Grade C
3 Packing nut	Forged brass	ASTM B455 UNS C38500
4 Stem packing	PTFE	Commercial grade Teflon*
5 Body	Forged brass	ASTM B455 UNS C38500
6 Seats (2)	PTFE	Commercial grade Teflon*
7 Ball	Chrome plated forged brass	ASTM B455 UNS C38500
8 Flange	Forged brass	ASTM B455 UNS C38500
9 End adapter	Forged brass	ASTM B455 UNS C38500
10 Stem O-ring	EPDM	Commercial grade
11 Stem	Forged brass	ASTM B455 UNS C38500
12 Flange nuts (2)	Zinc plated steel	ASTM A307 Grade C
13 Flange bolts (2)	Zinc plated steel	ASTM A307 Grade C

*Teflon is a registered trademark of the DuPont Company



**Pictured
T-2011RFLG
Exploded view**

DIMENSIONS

Size	A	B (IPS)	B (Sw)	C (IPS)	C (Sw)	D (IPS)	D (Sw)	L	H
3/4"	0.75	3.03	3.13	0.63	0.75	3/4" NPT	0.88	3.62	2.11
1"	0.97	3.39	3.50	0.79	0.91	1" NPT	1.13	4.33	2.46
1-1/4"	1.18	3.66	3.86	0.79	0.98	1-1/4" NPT	1.38	5.12	3.05

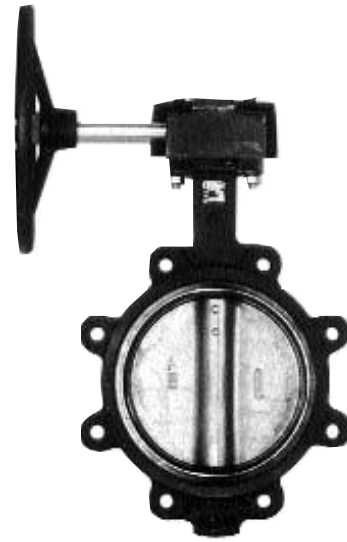
**MODELS
T-335, T-337 WAFER**



- T-335AB-G: ALUMINUM BRONZE DISC, EPDM SEAT
- T-335DI-G: DUCTILE IRON DISC, EPDM SEAT
- T-335SS-G: 316 STAINLESS DISC, EPDM SEAT

- T-337AB-G: ALUMINUM BRONZE DISC, BUNA SEAT
- T-337DI-G: DUCTILE IRON DISC, BUNA SEAT
- T-337SS-G: 316 STAINLESS DISC, BUNA SEAT

**MODELS
T-365, T-367 LUG**



- T-365AB-G: ALUMINUM BRONZE DISC, EPDM SEAT
- T-365DI-G: DUCTILE IRON DISC, EPDM SEAT
- T-365SS-G: 316 STAINLESS DISC, EPDM SEAT

- T-367AB-G: ALUMINUM BRONZE DISC, BUNA SEAT
- T-367DI-G: DUCTILE IRON DISC, BUNA SEAT
- T-367SS-G: 316 STAINLESS DISC, BUNA SEAT

PRESSURE RATING

- 200 WOG NON-SHOCK

FEATURES

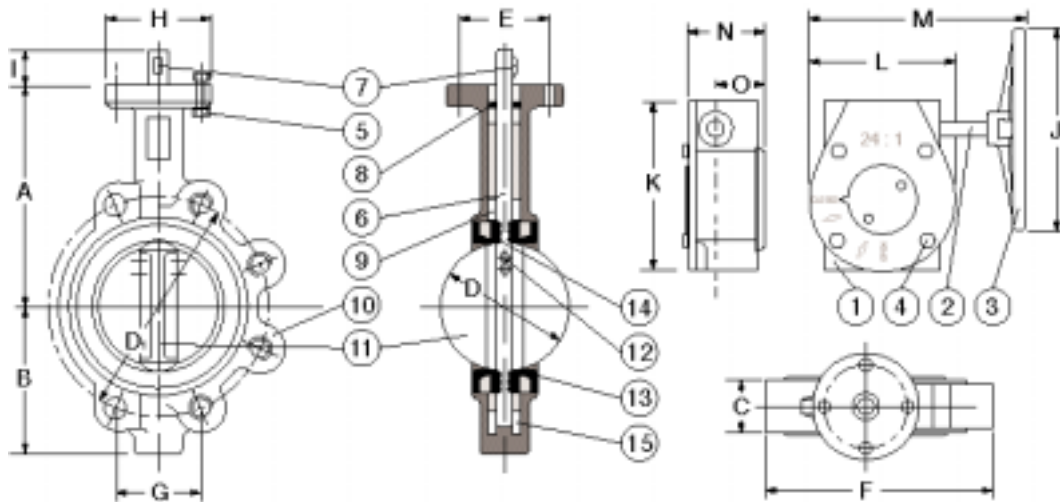
- HEAVY DUTY CONSTRUCTION
- BUBBLE TIGHT SEAL
- WAFER AND LUG BODY
- EXTENDED NECK
- BI - DIRECTIONAL FLOW
- 100% FACTORY TESTED
- EPDM OR BUNA SEAT

BOLT DATA (LUG ONLY)

VALVE SIZE	BOLT CIRCLE	BOLT SIZE	QTY	WOODRUFF SIZE
2"	4.75	5/8" - 11	4	#3
2 1/2"	5.50	5/8" - 11	4	#3
3"	6.00	5/8" - 11	4	#3
4"	7.50	5/8" - 11	8	#9
5"	8.50	3/4" - 10	8	#9
6"	9.50	3/4" - 10	8	#9
8"	11.75	3/4" - 10	8	#9

**VALVE WEIGHT
(INCLUDES GEAR BOX AND HANDWHEEL)**

VALVE SIZE	WAFER	LUG
2"	26 lbs.	28 lbs.
2 1/2"	28 lbs.	30 lbs.
3"	28 lbs.	31 lbs.
4"	31 lbs.	38 lbs.
5"	35 lbs.	43 lbs.
6"	38 lbs.	46 lbs.
8"	62 lbs.	74 lbs.



MATERIAL SPECIFICATIONS

NO.	PART	QTY.	MATERIAL
1	GEAR BOX	1	CAST IRON
2	INPUT SHAFT	1	STEEL
3	HAND WHEEL	1	CAST IRON
4	GEAR BOX BOLTS	4	STEEL
5	OPERATOR RETAINING BOLTS	2	STEEL
6	SHAFT	1	416 STAINLESS STEEL
7	WOODRUFF KEY	1	416 STAINLESS STEEL
8	SHAFT WEATHER SEAL	1	EPDM (T-335, T-365) BUNA-N (T-337, T-367)
9	SHAFT BUSHINGS	3	BRONZE
10	BODY	1	CAST IRON
11	DISC	1	ALUMINUM BRONZE, DUCTILE IRON OR 316 STAINLESS STEEL
12	DISC PINS	1 or 2	416 STAINLESS STEEL (2"-5" : ONE 6" & 8" : TWO)
13	SEAT	1	PHENOLIC BACKED EPDM (T-335, T-365) OR BUNA-N (T-337, T-367)
14	SURGE SEALS	3	EPDM (T-335, T-365) BUNA-N (T-337, T-367)
15	AXIAL BEARING	1	BRONZE

DIMENSIONS IN INCHES

VALVE SIZE	A	B	C	D	E	F (wafer)	F (lug)	G (wafer)	H	I	J	K	L	M	N	O	D1
2"	6.34	3.15	1.65	2.08	2.25	3.94	4.76	3.34	3.03	1.26	12.00	5.19	4.25	8.00	2.75	1.50	4.75
2 1/2"	6.89	3.50	1.76	2.54	2.25	4.72	5.43	3.79	3.03	1.26	12.00	5.19	4.25	8.00	2.75	1.50	5.50
3"	7.13	3.74	1.78	3.10	2.25	5.00	5.75	2.41	3.03	1.26	12.00	5.19	4.25	8.00	2.75	1.50	6.00
4"	7.87	4.49	2.05	4.09	2.75	6.14	8.11	2.79	3.62	1.26	12.00	5.19	4.25	8.00	2.75	1.50	7.50
5"	8.39	5.00	2.13	4.85	2.75	7.48	9.21	3.24	3.62	1.26	12.00	5.19	4.25	8.00	2.75	1.50	8.50
6"	8.90	5.47	2.20	6.13	2.75	8.35	10.31	3.59	3.62	1.26	12.00	5.19	4.25	8.00	2.75	1.50	9.50
8"	10.24	6.89	2.39	7.97	3.50	10.55	12.32	4.44	4.53	1.77	12.00	7.25	6.25	12.38	3.25	1.69	11.75

CV FACTORS AT VARIOUS DISC OPENINGS (in degrees)

VALVE SIZE	10°	20°	30°	40°	50°	60°	70°	80°	90°	GEAR RATIO	STEM DIA.
2"	0.119	7.170	13.46	22.44	34.00	49	57	60	62	24:1	0.500
2 1/2"	0.185	11.21	28.68	44.68	65.28	87	106	118	123	24:1	0.500
3"	0.267	16.14	41.30	64.35	94.20	135.3	172	208	239	24:1	0.500
4"	0.467	28.70	73.42	114.4	167.5	240.6	314	384	438	24:1	0.625
5"	0.744	44.84	114.7	178.7	261.7	375.9	503	654	817	24:1	0.750
6"	1.07	64.57	165.2	257.4	376.8	541.3	744	995	1320	24:1	0.750
8"	1.90	114.8	293.7	457.6	669.9	962.3	1367	1772	3019	30:1	0.875